

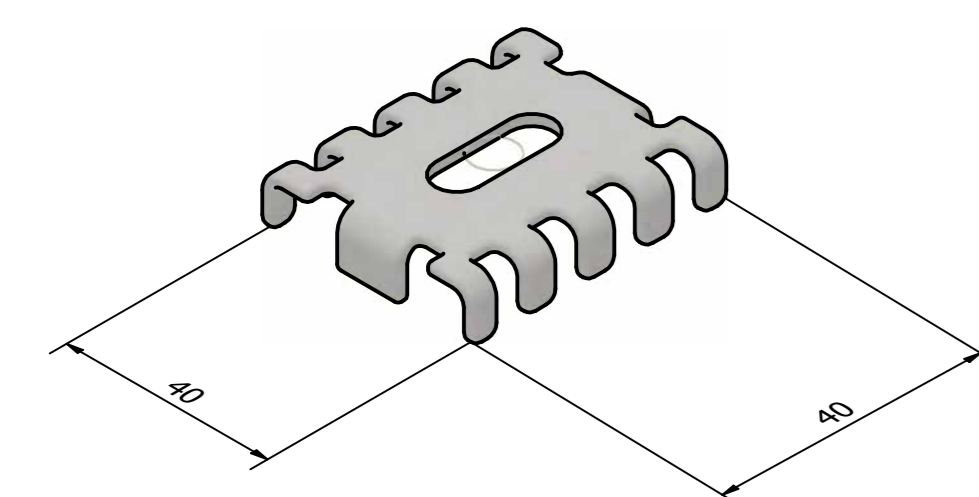
OUTSIDE MESH FENCE

I-BEAM

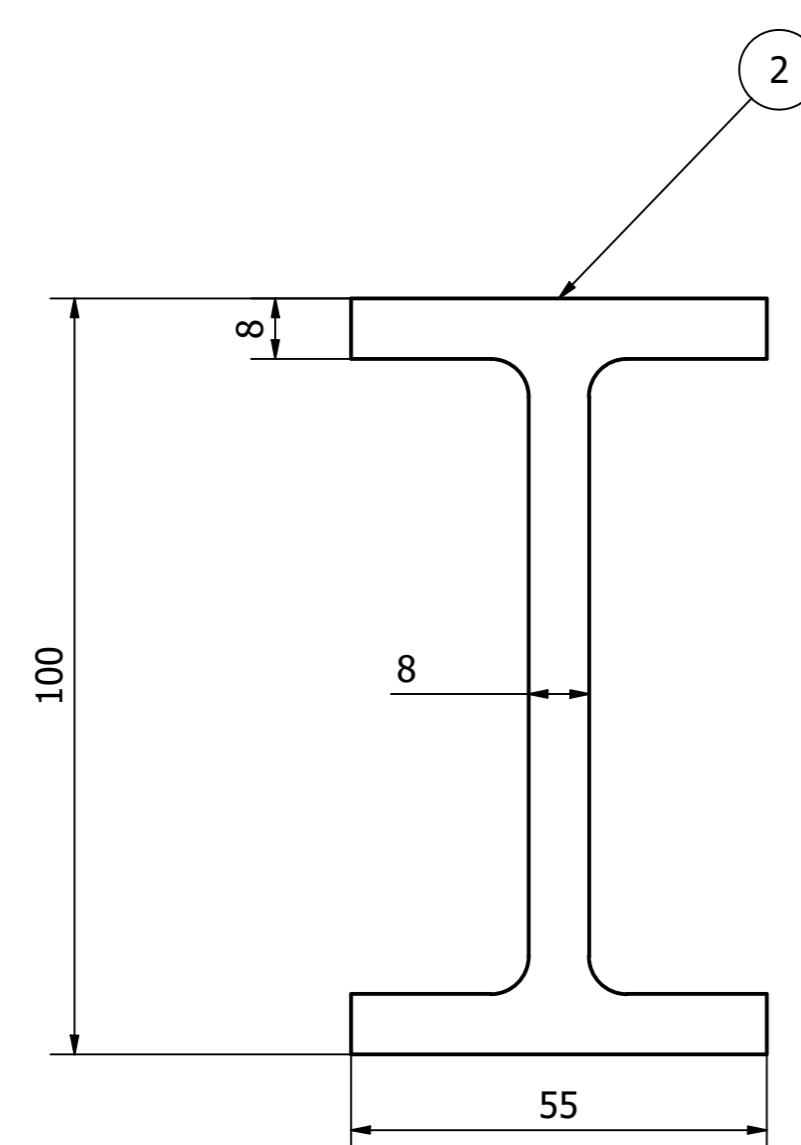
CONCRETE

INSIDE MESH FENCE

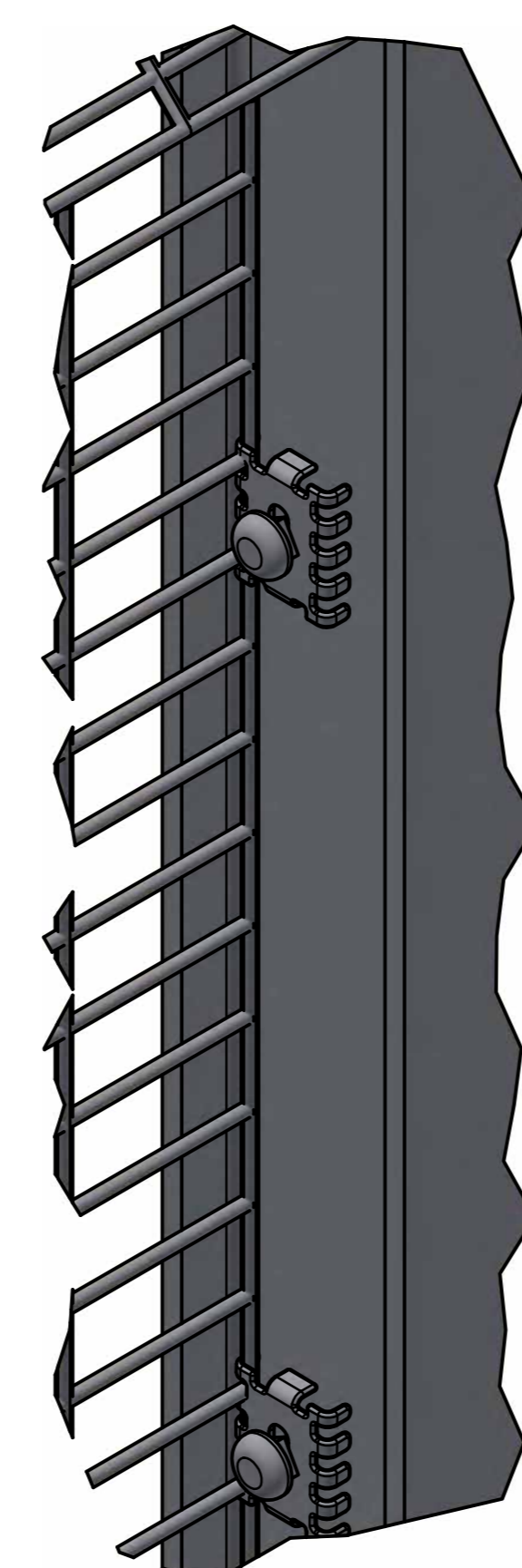
GL



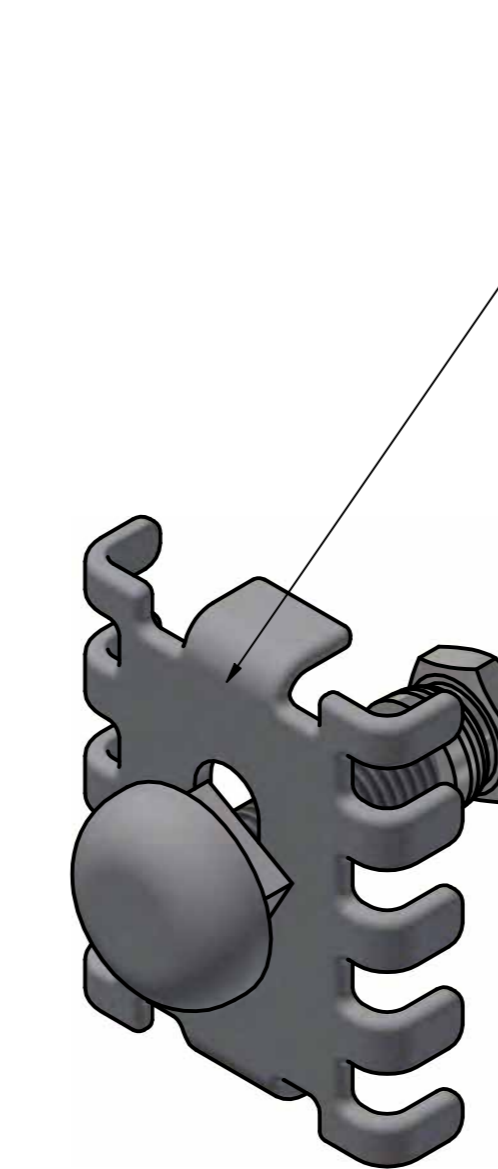
40 X 40X 5 THK
SPIDER CLAMP



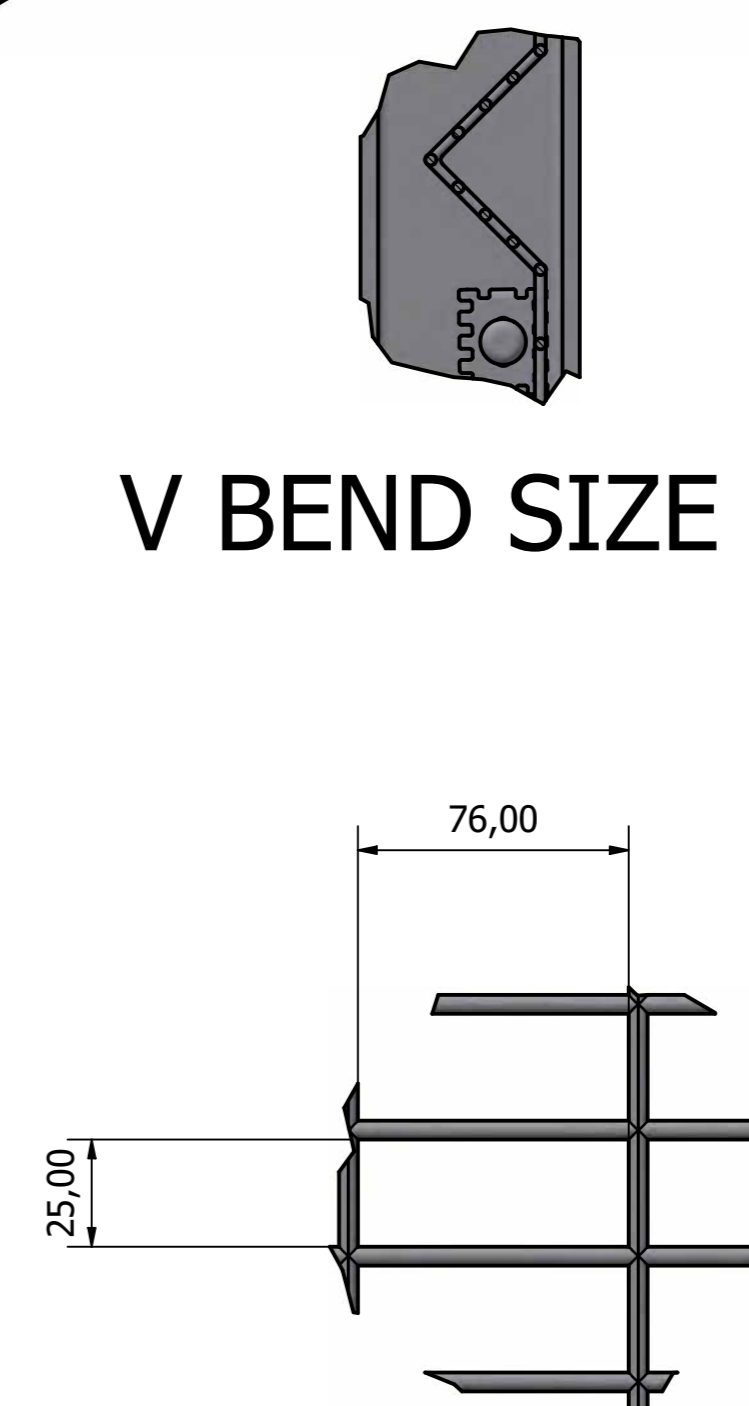
I BEAM 100 X 55 X 8 THK



CLAMP DETAIL



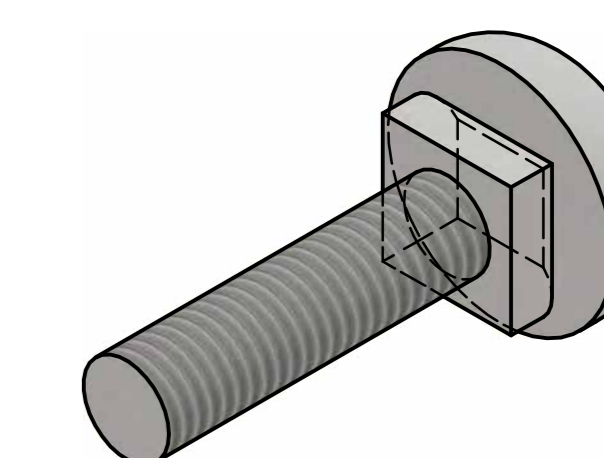
SPIDER CLAMP
ASSEMBLY



MESH SIZE



SNAP OFF SECURITY NUT



SQUARE HEAD BOLT

PARTS LIST			
ITEM	QTY	PART NUMBER	DESCRIPTION
2	1	BEAM	
3	1	CONCRETE BLOCK	
4	8	SPIDER CLAMP ASSY	
5	40	MESH-PANNEL	
6	1	MESH-PANNEL..	
7	1	BEAM2	
8	1	CONCRETE BLOCK2	
9	8	SPIDER CLAMP ASSY2	

MESHTechTM
SEE-THROUGH FENCING SPECIALISTS
WWW.MESHTech.CO.ZA

Designed by Jurgens	Checked by Weber	Approved by Weber	Date 2024/02/10	Date 2024/02/09
2.4 M Fence MAIN GA				Sheet 1 / 1